



FILE CODE \_\_\_\_\_ DATE 2-17-69

TO - NAME Group Release Distrib. List for RW Models	DEPT _____	DIVISION _____	PLANT/OFFICE _____
FROM - NAME D. R. Hubbs	DEPT Technical Services Fleet Engineering	DIVISION Domestic Product Planning	PLANT/OFFICE Lynch Road Assembly

SUBJECT: SPECIAL ORDER GROUP RELEASE E-101 FOR PLYMOUTH ROAD RUNNER AND DODGE SUPER BEE CARS WITH A SPECIAL 440 CID ENGINE WITH THREE TWO-BARREL CARBURETORS

We are today publishing Special Order Group Release E-101 for use of a special 440 CID engine with three two-barrel carburetors in Plymouth Road Runner and Dodge Super Bee Cars. We have also approved Special Car Inquiries ERAY 4257 and EWAY 4258 for Manual Transmission cars and ERAY 4255 and EWAY 4256 for Automatic Transmission cars referencing this group release.

The timing schedule for this program published by H. E. Smith on January 30 called for publication of the Group Release on 2-14-69 based on receiving Safety Compliance Approval from Central Engineering on 2-7-69. Safety approval was not received until today when a verbal approval was provided with formal concurrence to follow.

A few detail special items remain unresolved. These are:

- Flat Black Paint Specification for Fiberglass Hoods
- Flat Black Paint Specification for Cowl Area to Rear of Hood
- Throttle Return Spring (original found inadequate by Proving Grounds test. New design promised 2-19-69).
- Attaching Rivets and Washers for Hood Hold Down Lock Face Plates

This information will be supplied to Lynch Road Assembly as soon as it is available, and will be added to the Group Release by publishing revisions as necessary.

*D. R. Hubbs*  
D. R. HUBBS

DRH:rmg

Attach.

- |                 |                  |                 |
|-----------------|------------------|-----------------|
| cc: W. G. Alley | T. E. Henretta   | P. Rothwell     |
| C. E. Brady     | T. Hoover        | B. L. Schram    |
| F. J. Brom      | D. Hyre          | H. E. Smith     |
| J. Candler      | J. T. Keegan     | J. L. Smith     |
| P. Dawson       | W. J. Michalczyk | C. B. Wickard   |
|                 |                  | J. C. Zabriskie |

**PRODUCT PLANNING TECHNICAL SERVICES FLEET ENGINEERING**

GROUP RELEASE	REVISION	REVISION DATE	DATE OF ORIGINAL RELEASE
E-101			2-17-69

	V	B	L	R	W	P	D	C	Y
CAR LINE:	<input type="checkbox"/>	<input type="checkbox"/>	<input type="checkbox"/>	<input checked="" type="checkbox"/>	<input checked="" type="checkbox"/>	<input type="checkbox"/>	<input type="checkbox"/>	<input type="checkbox"/>	<input type="checkbox"/>

SERIES: E	MODELS: R63-M21, 23; W63 M21, 23
-----------	----------------------------------

P. F. FEDERAL OR P. F. SAFETY AFFECTED:	YES	NO	
<input checked="" type="checkbox"/>	<input type="checkbox"/>		Parts released, installations, and rework covered by this Group Release comply with PF Federal & Safety Requirements where applicable.

**DESCRIPTION:** Release of Plymouth Road Runner and Dodge Super Bee Coupes and Hardtops with a Special 440 C.I.D. Engine with Three Two Bbl. Carburetors. All cars to have Fiberglass Hoods with Air Scoop. Package Sales Code A12 is required. Reference - Product Planning Letter SE-29.

**REMARKS AND RESTRICTIONS:** Either a 4 Speed Manual or an Automatic Transmission is required. In addition Three Speed Windshield Wipers, Torque Fan, Max Cooling, and Sure Grip Differential with Special 4.10 Ratio Rear Axle are required. Air Conditioning, Automatic Speed Control, Disc Brakes, and Trailer Towing Package are not available. Propeller Shaft Build Code 560 for RM Model or 581 for WM Model and Speedometer Pinion Build Code 40 for both must be shown on Special Car Order.

The following Sales Codes are mandatory and must appear on Special Car Order:

SALES CODE	DESCRIPTION	
A12	Package Sales Code	
E63	383 C.I.D. 4 BBL. Engine	
J25	Three Speed Windshield Wiper	
U7S	Special Tires	
N51	Max. Cooling	
N65	Torque Fan	
D91	Sure Grip Differential	
D69	Special Order Rear Axle	
D21	4 Speed Man. Transmission	
D34		Torqueflite Transmission
Y39		Special Order

**INQUIRY AND ACCOUNT:** ERAY 4257, EWAY 4258  
ERAY 4255, EWAY 4256

Attached are the specifications for the above.

*D. R. Long*  
D. R. LONG

Per: J. T. Keegan - rmg

cc: Distribution List for Belvedere and Coronet  
C. E. Brady, Eldon Axle Plant.



**CHRYSLER CORPORATION**  
**PRODUCT PLANNING**  
**TECHNICAL SERVICES**  
**FLEET ENGINEERING**

JRF

Release of a special 440 Engine with aluminum intake manifold and three- two bbl. carburetors. Also fiberglass hood with air scoop.

DESCRIPTION & REVISIONS

GROUP RELEASE

E-101

SHEET 1 OF 1

INQUIRY: ERAY 4257, EMAY 4258

ERAY 4255, EMAY 4256

MODELS:

R63 M21, 23; W63 M21, 23

PF +	PART NUMBER	DELETE PART NUMBER	PART DESCRIPTION	QTY.	REMARKS	REF. SH. NO.
	CHRYSLER	VENDOR				
			<u>CHASSIS</u>			
			<u>ENGINE ASSY. PLUS SPECIAL ENGINE DRESS UP ITEMS</u>			
F	2946949	2946925	Assy. - Base Engine 1440 - 6 Bbl. - as shipped	1	To be used with 4-Speed Man. Trans. (Avail. Trenton Engine)	
	2946950	2946926	Assy. - Base Engine - 1440 - 6 Bbl. - as shipped	1	To be used with Auto Trans. (Avail. Trenton Engine)	
F	3412050 *		Assy. - Carburetor (Front)	1	To be used with Man. & Auto. Trans.	
F	3412051 *	3839	Assy. - Carburetor (Rear)	1	To be used with Man. & Auto. Trans.	
F	3412052 *		Assy. - Carburetor (Center)	1	To be used with Man. Trans. only	
F	3412053 *		Assy. - Carburetor (Center)	1	To be used with Auto. Trans. only	
	2946531 -	2951602	Gasket - Carburetor Flange	1		
	181089	2946595	Gasket - Carb. Flange	3	Delete with Auto. Trans.	
		2946577	Assy. - Carburetor - Carter (4-Bbl.)	1	Delete with Man. Trans.	
			Assy. - Carburetor - Carter (4-Bbl.)	1	Delete with Man. Trans.	
			Bolt - Carb. to Intake Manifold Att.	8	Use Total of 12	
			Label C.A.S. Engine Idle Setting	1	4 - From 383 Eng.	
		2899845		1	Use with Man. Trans. S/O Chart 2899845-C	

RELEASED: 1-17-69

CHANGES:

+ (F - PF Fed., S - PF Safety, C - Both)

NOTES

Drawings of parts not covered by sheets in this Group Release or normally available, will be furnished to C.A. Garbacz, Lynch Road Assy. Engineering. All special parts not released for 'E' Series (except engine assemblies) available from B. Schram Ext. 87-5825.

*B. Schram*  
 Originator



**CHRYSLER CORPORATION**  
**PRODUCT PLANNING**  
**TECHNICAL SERVICES**  
**FLEET ENGINEERING**

Release of a special hood engine with aluminum intake manifold and three-lug bolt. carburetors. Also Silberg hood with air scoop.

**DESCRIPTION & REVISIONS**

**GROUP RELEASE**

2-101

INQUIRY: BRAY 1257, ENCL 1258, DRAW 1255, ENCL 1256

MODELS:

MO3 R21, R22, R23, R24, R25

SHEET 1 OF 1

PF	+	PART NUMBER	DELETED PART NUMBER	PART DESCRIPTION	QTY.	REMARKS	REF. ENCL. NO.
F		3412418	2899842	Label O.A.S. Engine Idle Settings Assy. - Automatic Choke	1	Use with Part. Encl. S/O Chart 2899842	
F		2946532*	2863845	Assy. - Automatic Choke	1		
		3412058*	2946157	<u>AIR CLEANER</u> Cleaner Assy. - Air (Silenced Fuel Nozzle)	1	\$ 197 & M97	
		3462205*	2946170	Cleaner Assy. - Air	1	141 Size Drwg.	
		3412399*	2843071	Gasket - Air Cleaner to Carb.	1		
		2843081	1203866	Gasket - Air Cleaner to Carb.	1		
		6028729-	126177	Decal - Air Cleaner Assy.	2	S/O Chart 126177	
			148312	Stud - Air Cleaner to Carb.	2		
			2536085	Wa. A/Cleaner to Carb. Stud	1		
				Nut - Wing Type A/Cleaner to Carb. Stud	2		
				Stud A/Cleaner to Carb. Stud	1		
				Stud - Air Cleaner to Carb.	1		
				Hose/A/Cleaner Drain	3		
				<u>FUEL PUMP, FUEL LINES, VAPOR SEPARATOR, FUEL TANK, AND FUEL RETURN TUBE</u>			
				Clip - Signal Vac. Rear Hose to Rear Carb. Fuel Line	1		
				Hose - Signal Vacuum	2		
				Tube - Carb. to Dist. Vac. Control	1		
				Connector - Fuel Pump	1		
				Fuel Pump Assy.	1		

RELEASED: 1-17-69

CHANGES:

(F - PF Fed., S - PF Safety, C - Both)

NOTES

\* Drawings sent to C. A. Garbacz  
 Ext. 87-5605, Lynch Road Assembly

*J. J. Keegan*  
 Original



**CHRYSLER CORPORATION**  
**PRODUCT PLANNING**  
**TECHNICAL SERVICES**  
**FLEET ENGINEERING**

Release of a special 440 Engine with aluminum intake manifold and three-two bbl. carburetors. Also fiberglass hood with air scoop.

**DESCRIPTION & R. RKS**

**GROUP RELEASE**

E-101

SHEET 3 OF 3

INQUIRY: ERAY 4257, EMAY 4258

FRAY 4255, EMAY 4256

MODELS:

R63 M21, 23; R63 M21, 23

PF	+	PART NUMBER		DELETE PART NUMBER	PART DESCRIPTION	QTY.	REMARKS	REF. SHT. NO.
		CHRYSLER	VENDOR					
		2951192			Assy. - Fuel Vapor Separator	1		
		2951190			Tube Assy. - Fuel Pump to Fuel Vapor Separator Hose	1		
		1737471			Hose - Fuel Vapor Separator	2		
		3418932 *			Tube Assy. - Fuel Vapor Separator Hose to Tee	1		
		2806764			Clamp - Fuel Vapor Separator Hose	4		
		3418347 *-	1 S 1		Tube Assy. - Tee to Carb. (Frt.)	1		
		3418347 *-			Tube Assy. - Tee to Carb. (Center)	1		
		173182	.79		Tee - Fuel Vapor Separator Hose to Tee Tube	1		
		3418345 *-			Tube Assy. - Tee to Tee	1		
		173182	1.81		Tee - Fuel Tube	1		
		3418346 *-	3.53		Tube Assy. - Tee to Rear Carb.	1		
		2469085			Hose - Vapor Separator	1		
		272776	Opt.		Clamp - Vapor Separator Hose	1		
		2208533						
		2881986						
		2530700		2899213	Assy. - Fuel Filter Hose to Carb. Tube	1		
		2925869			Clip - Fuel Return Tube S Type	12		
		2925862			Tube - Fuel Return	1		
		2881986			Hose - Fuel Return Tube to Tank	1		
		3404459		3404456	Clamp - Fuel Return Tube to Tank Hose	2		
				2525254	Assy. - Fuel Tank Comp.	1		
				1943887	Assy. - Fuel Filter	1		
				1943899	Hose - Fuel Filter to Carb. Tube	1		
				2806764	Hose - Fuel Pump to Filter	1		
				2899213	Clamp - Fuel Filter Hose	4		
				137398	Assy. - Fuel Filter Hose to Carb. Tube	1		
					Nut - Fuel Filter Hose to Carburetor	1		

RELEASED: 1-17-79

CHANGES:

(PF - PF Fed., S - PF Safety, C - Both)

NOTES

\* Drawings sent to C. A. Garbacz  
 Exl. 87-5605, Lynch Road Assembly

*J. T. [Signature]*



**PRODUCT PLANNING  
TECHNICAL SERVICES  
FLEET ENGINEERING**

Release of a special 440 Engine with aluminum intake manifold and three-two bbl. carburetors. Also fiber-glass hood with air scoop.

DESCRIPTION & REVISIONS

GROUP RELEASE

E-101

SHEET 4 OF 37

INQUIRY:

ERAY 4257, EMW 4256  
ERAY 4255, EMW 4257

MODELS:

R63 N21, 23; R63 N21, 23

PF	PART NUMBER		DELETE PART NUMBER	PART DESCRIPTION	QTY.	REMARKS	REF. SPT. NO.
	CHRYSLER	VENDOR					
S	3418875 -			<p style="text-align: center;"><u>THROTTLE LINKAGE</u></p> Control Adapt. - Throttle Control Adapt. - Throttle Spring - Trans. Rod Return Spring - Accel. Pedal Return Bracket - Accel. Pedal Return Spring Stud - Carb. Lever Stud - Carb. Lever Cable - Throttle Control Rod - Carb. to Cbl. Mtg. Brkts. Exp. Clip - Carb. Rod Frt. Rod - Carb. Rear Clip - Carb. Rod Rear Rod - Lever to Trans. B/Crank Rod - Carb. Front <p style="text-align: center;"><u>CLOSED VENT SYSTEM</u></p> Hose - C/Case Vent Vac. Cap to Carb. Hose - C/Case Vent Inlet Air Cleaner to Air Cleaner	Ref	Man. Trans.	
	3418876 -				Ref	Auto. Trans.	
	2951450*	1.59	2806464		1	Auto. Trans.	
	2951484*	Part number to follow	2806473		1	Man. & Auto. Trans.	
	2951485*	3.66	2806451		1	Man. & Auto. Trans.	
	2951485*	3.66	2806440		1	Auto. Trans.	
	3418846 -	9.54	2899339		1	Man. & Auto. Trans. (See Chart 24654E)*	
	2951493*	6.05	2899358		1	Auto. Trans.	
	6008145 -	2.6			2	Man. & Auto. Trans.	
	2951487*	3.64			1	Man. & Auto. Trans.	
6008144 -	3.6		1	Man. & Auto. Trans.			
2951495*	14.73	2843797	1	Auto. Trans.			
2951486*	3.64		1	Man. & Auto. Trans.			
1631863		957425	1	See Drwg. 376991			
2846787		2532469	1	See Drwg. 2532467			

RELEASED: 1-17-69

CHANGES:

+ (F - PF Fed., S - PF Safety, C - Both)

NOTES

\* Drawings sent to C. A. Garbage  
Ext. 87-5605, Lynch Road Assembly

*[Signature]*  
Originator



**CHRYSLER CORPORATION**

**PRODUCT PLANNING  
TECHNICAL SERVICES  
FLEET ENGINEERING**

Release of a special 440 Engine with aluminum intake manifold and three-two bbl. carburetors. also fiberglass hood with air scoop.

**DESCRIPTION & PARTS**

**GROUP RELEASE**

E-101

SHEET 5 OF 5

INQUIRY: ERAY 4257, EMAR 4258  
ERAY 4255, EMAR 4256

MODELS: R63 M21, 23; M63 M21, 23

PF +	PART NUMBER	DELETE PART NUMBER	PART DESCRIPTION	QTY.	REMARKS	REF SHT NO
	3410605	3410603	Assy. - Transmission <u>TRANSMISSION</u>	1	Use only when D-21 Trans. is coded	
	3412059	6024015	Solenoid Assy. (12 Volt) <u>SPECIAL ELECTRICAL ITEMS</u>	1	Avail. from Fastex Div. Detroit Phone: TW 1-3300	
	6022201		Screw - Solenoid Attaching	2		
	3412459		Wire Assy. - Carb. Shut off Solenoid	1		
	6015625		Clip - Solenoid Wire Assy. to left Cyl. Head Cover	1		
	3418406 *		Sc./Wa. Ign. Coil Mtg.	2		
	2095778		Assy. - Coil Mtg. Brkt.	1		
	3412458		Assy. - Coil Secondary Cable	1	S/O Chart #2095770*	
	3432108		Wire Assy. - Ballast Resistor to Ign. Coil	1		
		2931595	<u>ADDITIONAL CHASSIS ITEMS</u> Assy. - Rear Axle (as shipped) 4.10 Sure Grip - 11 x 2 1/2 MA Dana Model 60 - 9 3/4 R. Gear Assy. - Rear Axle (as shipped) 3.23 (8 3/4 Sure Grip) 11 x 2 1/2 M.A.	1	Avail. From: Salisbury Axle Div. Dana Corp. Ft. Wayne, Indiana Contact: R. D. White Detroit Phone: 292-5000	

RELEASED: 1-17-69

CHANGES:

+ (F - PF Fed., S - PF Safety, C - Both)

\* Drawings sent to C. A. Garbacz  
Ext. 87-5605, Lynch Road Assembly

NOTES

*J. T. Korman*  
Original - 100



**CHRYSLER CORPORATION**  
**PRODUCT PLANNING**  
**TECHNICAL SERVICES**  
**FLEET ENGINEERING**

DESCRIPTION & RE  
 KS  
 Release of a special 440 Engine with aluminum intake manifold and three-two bbl. carburetors. Also fiberglass hood with air scoop.

**GROUP RELEASE**

E-101

SHEET 0 OF

INQUIRY: ERAY 4257, ERAY 4255  
 ERAY 4255, ERAY 4250

MODELS:

R63 M21, 23; R63 M21, 21

+ PF	PART NUMBER	DELETE PART NUMBER	PART DESCRIPTION	QTY.	REMARKS	REF. SMT. NO.
	CHRYSLER	VENDOR				
	2996560 - 2996581 - 2538940 -		<p>3.09</p> <p>3.09</p> <p>ASSY. - Universal Joint &amp; Prop. Shaft            ASSY. - Universal Joint &amp; Prop Shaft            ASSY. - Trans. Speedo. Drive Pinion</p> <p><u>ADDITIONAL CHASSIS ITEMS CONTINUED</u></p>	1 1 1	Use with PM Notes Use with RM Notes	

RELEASED: 1-17-69

CHANGES:

+ (F. PF Fed., S. PF Safety, C. Both)

NOTES

*J. A. Keegan*  
 Original





**PRODUCT PLANNING  
TECHNICAL SERVICES  
FLEET ENGINEERING**

Release of a special 440 Engine with aluminum intake manifold and three-two bbl. carburetors. Also fiberglass hood with air scoop.

**DESCRIPTION & REVISIONS**

**GROUP RELEASE**

E-101

SHEET 7 OF 37

INQUIRY: ERAY 4257, EMAY 4258  
ERAY 4255, EMAY 4256

MODELS: R63 M21, 23; W63 M21, 23

PF	PART NUMBER		DELETE PART NUMBER	PART DESCRIPTION	QTY.	REMARKS	REF. SHT. NO.
	CHRYSLER	VENDOR					
F	EA825035		2834980	WHEELS, TIRES, AND FRONT SUSPENSION LOWER CONTROL ARM BUMPER SPACERS	5	Opt. W/2834981	
	2944169		2881810	Assy. - Wheel 14 x 5 1/2 JK - PTD.	5	Opt. W/2881810	
			2534701	Assy. - Wheel 15 x 6 JJ - H.D. Blk. Enam.	5	Opt. W/2534701	
				Assy. - Wheel 14 x 5 1/2 JK - PTD	5	Opt. W/2534701	
				G70 - 15 Red Stripe Goodyear Custom Wide Tread Polyglas Tubeless	5	Opt. W/2834981	
				Goodyear - Tubeless Tire F70 - 14 (2 Ply) RSW Ply.	5	Opt. W/2834980	
				Firestone - Tubeless Tire F70 - 14 (2 Ply) RSW Ply.	5	Opt. W/2834980	
	2071727	101	2834981	Spacer - Frt. Susp. Lwr. Cont. Arm Bumper.	2	Rel. for 'C1' Body Dodge	
				<u>HUB CAPS AND WHEEL NUTS</u>			
	2823848	87	2409826	Nut - Wheel Mtg. Chrome Styled Rt. 1/2 Thd.	10		
				Nut - Wheel Mtg. Std. Rt. 1/2 Thd.	10		
	2823849	87	2409827	Nut - Wheel Mtg. Chrome Styled Lt. 1/2 Thd.	10		
				Nut - Wheel Mtg. Std. Lt. 1/2 Thd.	10		
				Cap - Wheel Hub	4	RM Mod.	
				Cap - Wheel Hub	4	WM Mod.	
				<u>EXHAUST SYSTEM</u>			
				Muffler & Exhaust Pipe Assy. - Lt.	1		
				Muffler & Exhaust Pipe Assy. - Rt.	1		
				Assy. - Exhaust Pipe Comp.	1		
	2856284	3881	2883854 2883851				

RELEASED: 1-17-69

CHANGES:

+ (F - PF Fed., S - PF Safety, C - Both)

**NOTES**

NOTE: Road wheels are to be attached with Chrome Plated Nuts. No Hub Caps or Wheel Covers are to be used.

*J. G. Regan*  
Originator



**CHRYSLER CORPORATION**

**PRODUCT PLANNING  
TECHNICAL SERVICES  
FLEET ENGINEERING**

DESCRIPTION & REVISIONS  
Release of a special 440 Engine with aluminum intake manifold and three two bol. carburetors. Also fiberglass hood with air scoop.

GROUP RELEASE

E-101

SHEET 3 OF 3

INQUIRY: ERAY 4257, EMAY 223  
ERAY 4255, EMAY 223

MODELS:

R63 M21, 23; M03 M21, 23

PF	PART NUMBER	CHRYSLER	VENDOR	DELETE PART NUMBER	PART DESCRIPTION	QTY.	REMARKS	REF. SHT. NO.
	2781300		1557		EXHAUST SYSTEM CONTINUED Muffler Assy.	2		
	2962107		Opt.					
	2962113							
	3404013		1109		Pipe - Tail Rt. Pipe - Tail Lt.	1	& N97 - A87	
	3404014		1109		Assy. - Tail Pipe Rt. Assy. - Tail Pipe Lt.	1		
	3404001		864		Assy. - Tail Pipe Rt. Pipe - Tail Rt.	1		
	3404003		864		Assy. - Tail Pipe Lt. Pipe - Tail Lt.	1	\$ A87 - 197	

NOTE: Use Tail Pipes 3404013 & 3404014 for all jobs Less N97.  
Use Tail Pipe Assemblies 3404001 & 3404003 for all jobs With N97.

General Information:  
3404001 & 3404003 are Std. with E-63 Engine with or without N97, unless A87 is coded.  
3404013 & 3404014 are used with combination of E-63 Engine and A87 unless N97 is also coded.

RELEASED: 1-17-69

PF Fed., S. PF Safety, C. Both

NOTES

*J. S. Keegan*  
Original Entry



**CHRYSLER CORPORATION**

**PRODUCT PLANNING  
TECHNICAL SERVICES  
FLEET ENGINEERING**

DESCRIPTION 3. AKS  
Release of a special 440 Engine with aluminum intake manifold and three - two bbl. carburetors. Also fiberglass hood with air scoop.

GROUP RELEASE

E-101

SHEET 9 OF 27

INQUIRY:

ERAY 4257, EMAY 4258  
ERAY 4255, EMAY 4256

MODELS:

R63 M21, 23; W63 M21, 23

+ PF	PART NUMBER		DELETE PART NUMBER	PART DESCRIPTION	QTY.	REMARKS	REF. SHT. NO.
	CHRYSLER	VENDOR					
	3412055 +		3417098	ASSY. - Hood & Scoop Comp. (as shipped)	1	RM-Mod.	
	3412056 +		3417096	ASSY. - Hood - (as shipped)	1	RM-Mod.	
			2945014-5	ASSY. - Hood & Scoop Comp. (as shipped)	1	WM-Mod.	
			6025352	ASSY. - Hood - (as shipped)	1	WM-Mod.	
			6025359	ASSY. - Hood - (as shipped)	1	WM-Mod.	
			2935087	Hinge - Assy. Hood	1ea	WM-Mod.	
			6025325	Sc. & Wa. - Hood Hinge to Hood Att.	4		
			6025352	Sc. & Wa. Hood Hinge to Body Upper Rear	2		
			2486697	Striker - Hood Lock	1	Used on RM-Mod	
			6025325	Striker - Hood Lock	1	Used on WM Mod	
			2999074	Sc. & Wa. - Hood Lock Striker Att.	2		
			2935367	Catch & Handle Assy. - Hood Safety Comp.	1	Used on RM-Mod	
			6025325	Catch & Handle Assy. - Hood Safety Comp.	1	Used on WM Mod.	
			2583352	Sc. & Wa. - Hood Safety Catch & Handle Att.	2		
			2583206	Latch Assy. - Hood	1	Used on RM Mod.	
			6025341	Latch Assy. - Hood	1	Used on WM Mod.	
			2935356	Sc. & Wa. - Hood Latch Att.	2		
			2935357	Handle Assy. - Hood Latch Rel.	1	Used on RM Mod.	
			2945495	Handle Assy. - Hood Latch Rel.	1	Used on WM Mod.	
			2999724	Link & Clip Assy. Hood Latch Rel. Handle	1	Used on WM Mod.	
			6026823	Spring - Hood Release Pop-Up	1	Used on WM Mod.	
			9414723	Sc. & Wa. - Hood Latch Rel. Handle Assy. Att.	2	Used on RM Mod.	
				Sc. - Hood Latch Rel. Handle - Att.	2		
				Bracket - Hood Retaining	2		
				Stud Pin - Hood Hold Down Lock	4		
				Stud Pin - Hood Hold Down Lock	4		
				Nut - Hood Hold Down Lock Stud Pin	8		
				Washer - Hood Hold Down Lock Stud Pin	8		
				Spacer - Hood Hold Down Stud Bumper	4		

RELEASED: 1-17-69

CHANGES:

NOTES

+ (F - PF Fed., S - PF Safety, C - Both)

+ Available from Plaza Fibreglass Mfg. Co.  
Toronto, Ontario. Rep: F. R. West  
24 W. Lane Court  
Dearborn, Michigan

*John F. Regan*  
Originator  
VE 37441



# CHRYSLER CORPORATION

PRODUCT PLANNING  
TECHNICAL SERVICES  
FLEET ENGINEERING

Release of a special 440 Engine with aluminum intake manifold and three - two bbl. carburetors. Also fiberglass hood with air scoop.

DESCRIPTION & RKS

GROUP RELEASE

E-101

SHEET 10 OF 37

INQUIRY: ERAY 4257, EMAY 4258

ERAY 4255, EMAY 4256

MODELS: R63 M21, 23; W63 M21, 23

PF +	PART NUMBER	DELETE PART NUMBER	PART DESCRIPTION	QTY.	REMARKS	REF. SH. NO.
	2277281 +	2785791	Sc. & Wa. Fender Yoke C/MBR. Brkt.	2	WM-Model	
	3412427 -	6025510	U-Nut-Fender Yoke C/MBR. Brkt. to C/MBR.	2	Platten Bumper Attach- ing Brackets in Reqd. to clear Hood	
	3412423-4 -	2276749	Bumper - Fender Cowl Brkt. to hood	2	RM Model	
		2276804	Bumper - Hood Adj	2	RM-Mod.	
		6023531	Screw - Hood Bumper Adj.	2	RM Mod.	
			Bumper - Hood Hold Down Stud Pin	4	RM Model	
			Decal - 1440 - 6 Bbl. Hood Air Scoop	2	RM Model	
			Decal - 'Six Pack' - Hood Air Scoop L-R	1ea	RM Mod.	
			N/Plate Hood - 'Plymouth'	1	RM Model	
			Nut - Plymouth Hood N/Plate Att.	3	RM Model	
			Cover - Hood Outer Pnl. Ext. Rear	1ea	RM Model	
			Extension Hood Outer Pnl.	1ea	RM Model	
			Nut - Hood Outer Pnl. Ext.	16	RM Model	
			Name Plate - Hood Air Scoop - 383	2	RM Model	
			Nut - N/Plate Hood Air Scoop Att.	4	RM Model	
			Extension - Hood Outer Panel	1	RM Model	
			Sc. Hood Outer Pnl. Ext. Att. Outboard	4	WM Model	
			Sc. Hood Outer Pnl. Ext. Att.	6	WM Model	
			N/Plate Fender Side '383 - Magnum'	2	WM Model	
			Nut W/Seal - Fender Side Orn. Attaching	4	WM Model	
			Ornament - Hood Top R/L	1ea	WM Model	
			Seal/Wa. Hood Orn. Assy. to Hood	8	WM Model	
			Nut/Seal Hood Side Orn. Assy. to Hood	8	WM Model	
			Bumper - Hood Hold Down Stud Pin Rear	2	WM Model	
			Bumper - Hood Hold Down Stud Frt.	2	WM Model	
			Silencer - Hood	1	WM Model	
			Fastener - Hood Inner Pnl. Silencer	22	WM Model	
			Seal Assy. - Hood Cowl	1	WM Model	
			Seal - Hood Inner Pnl. Yoke	1	WM Model	
			Ret. - Hood Inner Pnl. Yoke Seal	10	WM Model	

+ (F - PF Fed., S - PF Safety, C - Both)

NOTES

RELEASED: 1-17-69  
CHANGES:

+ Available from Swan Rubber Company  
Bucyrus, Ohio - Local Contact  
Mr. Tom McCullum - Phone: JO 4-5614  
Shown on Chart 687/421

*J. G. Kellogg*  
Director  
KERRICK



**CHRYSLER CORPORATION**

**PRODUCT PLANNING  
TECHNICAL SERVICES  
FLEET ENGINEERING**

**DESCRIPTION & REMARKS**

Release of a special 440 Engine with aluminum intake manifold and three-two bbl. carburetors. Also fiberglass hood with air scoop.

**GROUP RELEASE**

E-101 SHEET 11 OF 37  
 INQUIRY: ERAY 4257, EMAY -258  
 ERAY 4255, EMAY 4256  
 MODELS: R63 M21, 23; M63 M21, 23

P.F. FED.  
OR SAFETY

INSTRUCTIONS

1. The affected models are to be built at Lynch Road Assembly Plant. The Special Orders on these cars will show Engine sales code E-63 (383 C.I.D. with 4 BBL. Carb.) however, a special 440 C.I.D. Engine with three two barrel carburetors is to be installed.
2. Trenton Engine Plant will provide the special engines which replace the coded E-63 engines. Lynch Road Assembly will install normal 383 C.I.D. Engine 'B' Body Engine Dress-Up Parts, plus substitutions and deletions shown in the attached parts list.
3. The 440 C.I.D. B-Body dual exhaust system, fuel vapor separator, fuel return tube, and fuel tank assembly are to be used same as on GTX or R/T cars with Engine Code E-86.
4. A total of four different carburetors are required for this project, one for the front used with either manual or automatic transmission, a second for the rear also used with either transmission, and two different center carburetors - one for each transmission.
5. A special air cleaner to accommodate the three carburetors is required. Lynch Road Assembly is to install the Special Air Cleaner Decal. Locate Decal on air cleaner cover, forward of front attaching stud, to permit reading from front of car.
6. A special throttle control system is used for manual transmissions and a different special one is used for Automatic Transmissions. See 3418875 Control Adapt. - Throttle for cars with Manual Transmissions and 3418876 for cars with Automatic Transmissions.
7. Adjusting the linkage for the three carburetors is to be done per Process Standard P.S. 5114 and attached copy of HSC 2925900 Sec. 30B06B. Sht. 2.50. (See Sheet 37).
8. The Ignition Coil is to be attached to the right rear side of the engine intake manifold, using the standard coil mounting bracket attached to a special cracked assy. - 3418406 with the entire assembly mounted on the right rear attaching studs of the intake manifold.

P.F. SAFETY

RELEASED: 1-15-69

NOTES

CHANGES:

*[Signature]*  
Originator



**CHRYSLER CORPORATION**  
**PRODUCT PLANNING**  
**TECHNICAL SERVICES**  
**FLEET ENGINEERING**

**DESCRIPTION & REMARKS**

Release of a special 440 Engine with aluminum intake manifold and three-two bbl. carburetors. Also fiberglass hood with air scoop.

**GROUP RELEASE**

E-101  
 SHEET 12 OF 15  
 INQUIRY: ERAY 4257, ERAY -258  
 ERAY 4255, ERAY -256  
 MODELS: R63 M21, 23; R63 M21, 23

P.F. FED.  
OR SAFETY

INSTRUCTIONS CONTINUED

9. See attached drawing 3412460, sheet 36, for the installation of 3412458 Wire - Assy. - Ballast Resistor to Ignition Coil.
10. A carburetor shut off solenoid is used. The solenoid assembly is attached to the intake manifold on the left side just below the center carburetor with two screws 6023428.
11. The Wire Assy. - Carb. Shut-Off Solenoid 3412459 is held securely to the left cylinder head cover by a nylon Clip 6015625. This clip has an adhesive material on one side and may be attached to the cover by removing the protective paper and pressing the clip on the cover. See attached drawing 3412460 on sheet 36, for routing of wire from solenoid to voltage regulator.
12. Install fuel lines to carburetors in accordance with 'F1 Series Chassis Graphic Manual 3411001, Section 303, Page 3.40 which is correct for this application except carburetor part numbers.
13. Install two (front and rear) 2465134 Hose - Signal Vacuum and one 1941568 Clip - Signal Vacuum Rear Hose to Rear Carb. Fuel Line as shown in 'F1 Series Chassis Graphic Manual 3411001, Section 303B, Page 4.00, Items #11 and #12 only.
14. These vehicles require a special 4.10 ratio, Dana, 9.75 Ring Gear, Sure Grip Rear Axle with Heavy Duty 11 x 2.5 M.A. brakes.
15. Prop shaft assemblies required are the same as normally used with the 426 E74 and 440 E86 engine 'B1 Body cars.
16. G70-15 Red Stripe Goodyear Custom Wide Tread Polyglas tubeless tires with 15 x 6 JJ H.D. wheels are used.
17. Front suspension lower control arm bumper spacers 2071727 (.224 thick) placed under each 2535027 Assy. - Front Susp. Lower Control Arm Bumper are required to provide running clearance for the G70-15 wide tread tires.
18. The standard Hub Caps are to be deleted. Chrome styled wheel mounting nuts are to replace the standard wheel mounting nuts. All wheels to be painted black regardless of body color.
19. A 40 tooth speedo-pinion is required.

RELEASED: 1-15-69

CHANGES:

**NOTES**

*J. T. Keegan*  
 Originator  
 J. T. Keegan



**CHRYSLER CORPORATION**  
**PRODUCT PLANNING**  
**TECHNICAL SERVICES**  
**FLEET ENGINEERING**

Release of a special 440 Engine with aluminum intake manifold and three-two bbl. carburetors. Also fiberglass hood with air scoop.

**DESCRIPTION & REMARKS**

**GROUP RELEASE**

E-101

SHEET 13 OF 37

INQUIRY: ERAY 4257, EMAY 4258

FRAY 4255, EMAY 4256

MODELS: R63 M21, 23; R63 M21, 23

P.F. FED.  
OR SAFETY

INSTRUCTIONS CONTINUED

20. The same automatic transmission (Sales Code D34) is used on these cars as is used with an E63 engine. When a 4 speed manual transmission is specified (Sales Code D21), use 3410605 Assembly in place of Assembly 3410603.
21. Hood Pin Installation
  - a. Two Special Hood Retaining Brackets 3412415 are installed on the fender side shields, using the two rear of the three holes normally used to attach the hood hinge assemblies. Use 1 of the same attaching screws (6025352) and J-Nuts (6025510).
  - b. Drill a .62 dia. hole in each 2949262 Rt. & 2946263 Lt. Brkt. - Fender Radiator Yoke C/Member on the Road Runner (See Sheet #35). On the Super Bee Model open up the center of the inboard slot of 2949264 Rt. & 2949265 Lt., with a .62 dia. drill, thru the upper flange of the radiator yoke. (See Sheet #34.)
  - c. Four 3412411 Stud Pins - Hood Hold Down Locks are installed in the brackets of instruction (a.) and the .62 dia. holes added in instruction (b.) as follows:
    - (1) Run a nut 118647 on each pin, place a lock washer 135629 under the nut, and insert the entire assembly in the .62 dia. hole with the threaded end of pin downward.
    - (2) Place Lock Washer 135629 and Nut 118647 on bottom of Pin.
    - (3) Adjust Pin to proper height and tighten nuts securely.
  - d. Install hood hold down Stud Pin Bumpers made of 5/8 I.D. Heater Hose by placing a spacer 120396 on top of each top stud pin jamb nut and inserting bumper over each Stud Pin 3412411. Bumper 2277281 (2.00 long) is used on all four 'Road Runner' pins and on the two rear pins of the 'Super Bee'. Bumper 1947467 (1.50 long) is used on the two front pins of the Super Bee.

RELEASED:

1-15-69

NOTES

CHANGES:

*R. J. Ferguson*  
Original



**PRODUCT PLANNING  
TECHNICAL SERVICES  
FLEET ENGINEERING**

Release of a special 440 Engine with aluminum intake manifold and three-two bbl. carburetors. Also fiberglass hood with air scoop.

DESCRIPTION & RE. KS

GROUP RELEASE

F-101

SHEET 14 OF 37

INQUIRY:

ERAY 4257, EWART -258  
ERAY 4255, EWART -257

MODELS:

R63 M21, 23; R63 M21, 23

P.F. FED.  
OR SAFETY

INSTRUCTIONS CONTINUED

22. Fiberglass hoods with Air Scoop will replace the standard sheet metal hoods released for these models. The hood assemblies are to be received at Lynch Road Assembly Plant with a dull non-reflective black exterior paint. Extreme caution must be exercised in the handling of these hoods, to prevent scratching, scuffing, or gouging.
23. Install two decals on each hood per styling drawings listed on sheet 35 for WM and sheet 31 for SM.
24. The fiberglass hood assemblies are to be assembled over the four stud pins, and retained by 'Hair Pin' fasteners which are attached to the hood with cable lanyards ('M' Body glove box door cables).
25. The center exterior area of the cowl panels is to be painted with # (Info. to follow ).
26. Do not drill two (.156) dia. holes in each 'Super Beel' fender normally used to accommodate the Ferriser Side Nameplate '383 - Magnum' #3444957.
27. The Monroney Price Label is to show Code A12 Special Engine.
28. The VIN Serial Number is to contain the letter 'M', under the 5th digit callout, signifying that the engine is a special order 8 cylinder, rather than the 383 C.I.D. high performance letter 'H'.
29. Plant Distribution to furnish Car Division Service Departments a daily list of vehicles shipped, showing date shipped, Dealer Code and S.O. number.  
Car Division Service Departments will forward to the delivering dealer a revised copy of the Warranty Booklet 81-970-9019, for each vehicle shipped.

RELEASED:

1-17-69

CHANGES:

NOTES

*J. E. Stegman*  
Originator



Same as 2946915 except to have components shown in parts list furnished to Mr. L. T. Adams, Resident Engineer, Trenton Engine Plant, by Mr. David Hyer of Engine Design, Central Engineering.

NOTE: To be used with 4-Speed Manual Transmission Without Air Conditioning.

NOTES:	MATERIAL	DATE
	1-16-69	1-16-69
RELEASED FOR SPECIAL ORDER ONLY	DRAWN	SCALE
	J. T. KEEGAN	
INFORMATION ON THIS PART AVAILABLE ONLY FROM FLEET ENGINEERING - PRODUCT PLANNING TECHNICAL SERVICES	CHECKED	PART NO.
	<i>[Signature]</i>	2946949
PRODUCT PLANNING TECH. SERVICES FLEET ENGINEERING <b>CHRYSLER CORPORATION</b> DETROIT, MICHIGAN		Assy. - Base Engine 1440 - 6 Dbl. 1 - as shipped

GP. REL.  
REF. NO.

Same as 2946917 except to have components shown in Parts List furnished to Mr. L. T. Adams, Resident Engineer, Trenton Engine Plant, by Mr. David Hyer of Engine Design Central Engineering.

NOTE: To be used with A727 Auto. Trans. without Air Conditioning

NOTES:	MATERIAL	J. T. KEEGAN	PRODUCT PLANNING TECH. SERVICES FLEET ENGINEERING <b>CHRYSLER CORPORATION</b> DETROIT, MICHIGAN	DATE	1-16-69
	DRAWN	<i>JTK</i>		SCALE	
RELEASED FOR SPECIAL ORDER ONLY	LET	WAS	1-16-69	PART NO.	2946950
INFORMATION ON THIS PART AVAILABLE ONLY FROM FLEET ENGINEERING - PRODUCT PLANNING TECHNICAL SERVICES					

PART NO. 3412418

GROUP RELEASE NO. E-101  
SHEET 17 OF 37

GP. REL.  
REF. NO.

Make Label #3412418 per Chrysler Corporation Chart - C.A.S.  
Engine Idle Setting Label #2899840, showing the following  
information.

A	B	C
Engine RPM	Timing	Mixture
900	5° BTC	14.0-14.4

P.F. FED.  
REF. 2899840

Use with Automatic Transmission

NOTES:

RELEASED FOR SPECIAL ORDER ONLY	1-9-69	MATERIAL	PRODUCT PLANNING TECH. SERVICES FLEET ENGINEERING CHRYSLER CORPORATION DETROIT, MICHIGAN	DATE	1-9-69
INFORMATION ON THIS PART AVAILABLE ONLY FROM ENGINEERING - PRODUCT PLANNING TECHNICAL SERVICES		DRAWN J. T. KEEGAN	Label - C.A.S. Engine Idle Setting	SCALE	
		CHECKED <i>[Signature]</i>		PART NO.	3412418

GP. REL.  
REF. NO.

Make Label #3412419 per Chrysler Corporation Chart - C.A.S.  
Engine Idle Setting - Label #2899840, showing the following  
information:

440 6 BBL Man. Trans.	A	B	C
	Engine RPM 1000	Timing TDC	Mixture 14.0-14.4

P. F. FED  
Ref. 2899840

Use with Manual Transmission

NOTES:	MATERIAL	DATE
	DRAWN	SCALE
RELEASED FOR SPECIAL ORDER ONLY	J. T. KEEGAN	1-9-69
INFORMATION ON THIS PART AVAILABLE ONLY FROM	<b>CHRYSLER CORPORATION</b> DETROIT, MICHIGAN	PART NO.
FLEET ENGINEERING - PRODUCT PLANNING TECHNICAL SERVICES		3412419
	Label - C.A.S. Engine Idle Setting	

CHECKED  
*DR*

PART NO. 3412059

GROUP RELEASE NO. E-101  
SHEET 19 OF 37

GP. REL.  
REF. NO.

Indicated source: General Motors Corp.  
Delco-Remy Division  
Their Part No. 1114420

Chrysler Corporation  
Domestic Product Planning  
Special Parts Services  
P.O. Box 1919  
Detroit, Michigan 48231

NOTES: For use on 1969 440 C.I. 3-2 BBL car with manual or auto. transmission	LET	WAS	MATERIAL DRAWN B. L. SCHUBERT CHECKED <i>BLS</i>	PRODUCT PLANNING TECH. SERVICES FLEET ENGINEERING <b>CHRYSLER CORPORATION</b> DETROIT, MICHIGAN	DATE
	RELEASED FOR SPECIAL ORDER ONLY				Solenoid - Assy. 12 volt
INFORMATION ON THIS PART AVAILABLE ONLY FROM FLEET ENGINEERING, PRODUCT PLANNING TECHNICAL SERVICES				SCALE	PART NO.
					3412059

GP. REL.  
REF. NO.

3432108 - Assembly - Rear Axle (as shipped)  
 (4.10 Ratio, Sure Grip 11 x 2 1/2 MA Police Brakes)  
 3432108 Assembly - Rear Axle is the same as 2931596 except:  
 Use 2881189 Differential and Carrier Assembly to Replace  
 2881002 Differential and Carrier Assembly.

NOTES:	MATERIAL		DATE
	LET	WAS	
RELEASED FOR SPECIAL ORDER ONLY	DRAWN <i>D.A.</i>		PART NO.
	CHECKED <i>J. A.</i>		
PRODUCT PLANNING TECH. SERVICES FLEET ENGINEERING <b>CHRYSLER CORPORATION</b> DETROIT, MICHIGAN			SCALE
INFORMATION ON THIS PART AVAILABLE ONLY FROM FLEET ENGINEERING - PRODUCT PLANNING TECHNICAL SERVICES			Assy. - Rear Axle (As Shipped) 4.10 Sure Grip 11 x 2 1/2 MA Pol. (Dana Model 60-9 3/4 R. Gear)

3412055 to be similar to 2934495 except also to have Air Scoop, and be retained by four hood pins with cables. Entire assembly to be made of fiberglass.

Also the following parts are to be included:

Part No.	Description	Qty.	Remarks
3412412	Face Plate - Hood Hold Down Lock	4	See Sheet 25
3412413	Gasket - Hood Hold Down Lock Face Plate	4	See Sheet 27
3412414 - 75	Hair Pin - Hood Hold Down Lock Stud Pin	4	See Sheet 25
2927281	Assy. - Glove Box Door Cable	4	Use as a lanyard for Hair Pins
	Rivet - Hood Hold Down Lock Face Plate Att.	16	

*Paint & info follows*

**NOTE:** Entire exterior area of hood to be painted with 2183385 Exterior Air Dry Organosol Paint MF5DX8 Black, prior to installing hood retaining parts.

Chrysler Corporation  
Domestic Product Planning  
Special Parts Services  
P.O. Box 1919  
Detroit, Michigan 48231

NOTES:

For use on 1969  
440 C.I. 3-2 BBL  
Plymouth Road Runner

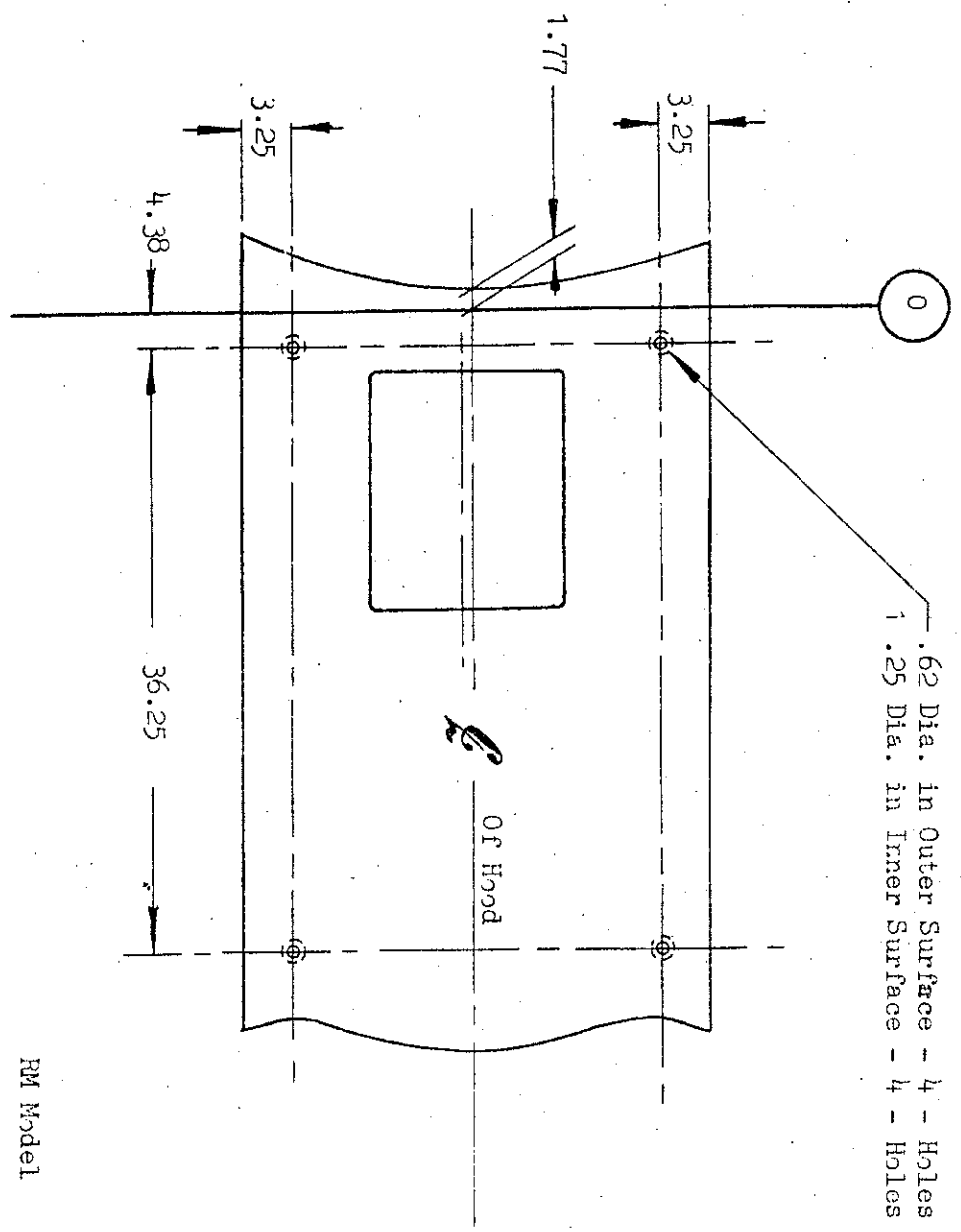
RELEASED FOR SPECIAL ORDER ONLY	MATERIAL	PRODUCT PLANNING TECH. SERVICES	DATE
Revised & Sheet #2	DRAWN	FLEET ENGINEERING	12-6-65
added	B. L. Schram	<b>CHRYSLER CORPORATION</b>	SCALE
LET WAS	CHECKED	DETROIT, MICHIGAN	PART NO.
		Assy. - Hood & Scoop complete as shipped	3412055

INFORMATION ON THIS PART AVAILABLE ONLY FROM  
FLEET ENGINEERING - PRODUCT PLANNING TECHNICAL SERVICES

Detail showing Hood and Scoop Assembly  
attaching holes

Sheet 2 of 2 Sheets  
of Drawing #3412055

GP. REL.  
REF. NO.



RM Model

NOTES:

MATERIAL	
DRAWN	
CHECKED	
LET	
WAS	

J. T. KEEGAN

PRODUCT PLANNING TECH. SERVICES  
FLEET ENGINEERING

CHRYSLER CORPORATION  
DETROIT, MICHIGAN

DATE  
1-15-69

SCALE

RELEASED FOR SPECIAL ORDER ONLY

1-45-69

Assy. - Hood & Scoop Comp.  
As Shipped

PART NO.  
3412055



PART NO. 3412056

GROUP RELEASE NO. E-101  
SHEET 23 OF 37

Sheet 1 of 2 Sheets  
of Drawing #3412056

GP. REL.  
REF. NO.

3412056 to be same as 2934368 except also to have Air Scoop and be retained by four hood pins with cables. Entire assembly to be made of fiberglass.

Also the following parts are to be included:

Part No.	Description	Qty.	Remarks
3412412	Face Plate - Hood Hold Down Lock	4	See Sheet 26
3412413	Gasket - Hood Hold Down Lock Face Plate	4	See Sheet 27
3412414	Hair Pin - Hood Hold Down Lock Stud Pin	4	See Sheet 25
2927281	Assy. - Glove Box Door Cable	4	Use as a Lanyard for Hair Pins

Rivet - Hood Hold Down Lock Face Plate Att. 16

**NOTE:** Engine exterior area of hood to be painted with ~~303385 Exterior Air Dry Organosol Paint AF5DX8 Black,~~ prior to installing hood retaining parts.

*Paint and rivets to be shown*

Chrysler Corporation  
Domestic Product Planning  
Special Parts Services  
P.O. Box 1919  
Detroit, Michigan 48231

NOTES:

For use on 1969  
440 C.I. 3-2 BBL  
Dodge Super Bee

Revised & Sheet #2	1-16-69
added	
LET	
WAS	

MATERIAL

DRAWN  
R. L. Schram

CHECKED  
*R.F.H.*

PRODUCT PLANNING TECH. SERVICES  
FLEET ENGINEERING

**CHRYSLER CORPORATION**  
DETROIT, MICHIGAN

Assy. - Hood & Scoop complete  
as shipped

DATE  
12-6-68

SCALE

PART NO.

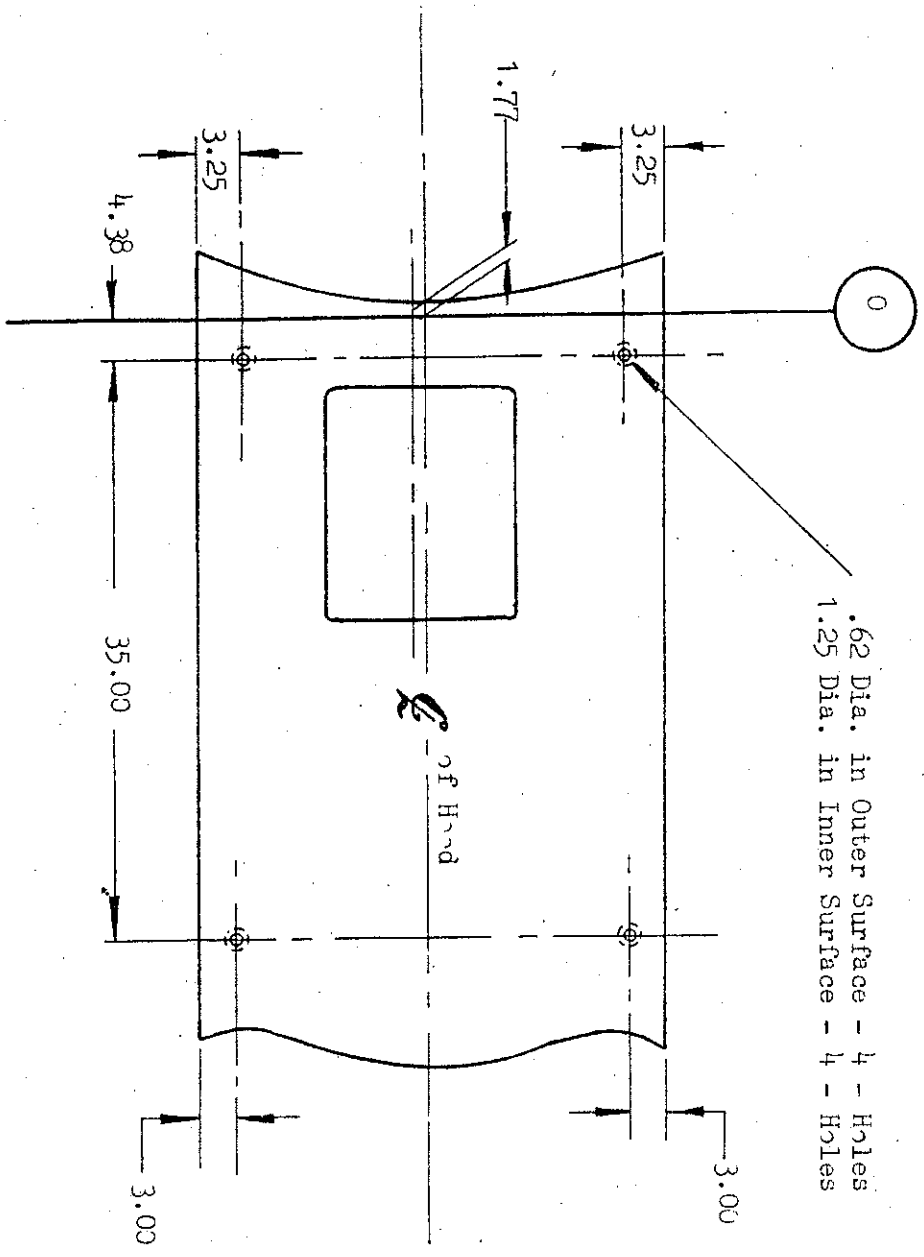
3412056

RELEASED FOR SPECIAL ORDER ONLY  
INFORMATION ON THIS PART AVAILABLE ONLY FROM

Detail showing Hood and Scoop Assembly  
 attaching holes

Sheet 2 of 2 Sheets  
 of Drawing #3412056

GP. REL. REF. NO.



MM Model

NOTES:

MATERIAL	
DRAWN	J. T. KEEGAN
CHECKED	<i>[Signature]</i>
DATE	1-15-69
SCALE	
PART NO.	3412056

RELEASED FOR SPECIAL ORDER ONLY 1-15-69  
 INFORMATION ON THIS PART AVAILABLE ONLY FROM

PRODUCT PLANNING TECH. SERVICES  
 FLEET ENGINEERING  
**CHRYSLER CORPORATION**  
 DETROIT, MICHIGAN

Assy. - Hood & Scoop  
 Complete - As shipped

PART NO. 3412411

GROUP RELEASE NO. E-101  
SHEET 25 OF 37

GP. REL.  
REF. NO.

Detail Drawing of 3412411 Stud Pin - Hood Hold Down  
Lock, is shown as Item #1 on Cal Corporation's  
Drawing No. 2043 on a Hood Lock Assembly.

3412411 is available from:  
Cal Corporation  
305 E. 9 Mile Road  
Ferndale, Michigan 48220

NOTES:	MATERIAL	DRAWN J. T. KEEGAN	CHECKED <i>[Signature]</i>	PRODUCT PLANNING TECH. SERVICES FLEET ENGINEERING <b>CHRYSLER CORPORATION</b> DETROIT, MICHIGAN	DATE 1-3-69
	LET				
RELEASED FOR SPECIAL ORDER ONLY	1-3-69			Stud Pin - Hood Hold Down Lock	PART NO. 3412411
INFORMATION ON THIS PART AVAILABLE ONLY FROM FLEET ENGINEERING - PRODUCT PLANNING TECHNICAL SERVICES					

PART NO.

3412412

GROUP RELEASE NO. E-101  
SHEET 26

OF 37

GP. REL.  
REF. NO.

Detail Drawing of 3412412 - Face Plate - Hood Hold  
Down Lock, is shown as Item #2 on Cal Corporation's  
Drawing No. 2043 on a Hood Lock Assembly.

3412412 is available from:  
Cal Corporation  
305 E. 9 Mile Road  
Ferndale, Michigan 48220

NOTES:		MATERIAL		PRODUCT PLANNING TECH. SERVICES		DATE	
RELEASED FOR SPECIAL ORDER ONLY		DRAWN		FLEET ENGINEERING		1-3-69	
1-3-69		I. M. KEEGAN CHECKED		CHRYSLER CORPORATION		SCALE	
INFORMATION ON THIS PART AVAILABLE ONLY FROM		<i>[Signature]</i>		DETROIT, MICHIGAN		PART NO.	
FLEET ENGINEERING - PRODUCT PLANNING TECHNICAL SERVICES		Face Plate - Hood Hold Down Lock				3412412	

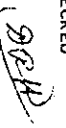
Detail Drawing of 3412413 - Gasket - Hood Hold Down Lock

Face Plate is shown as Item #3 on Cal Corporation's

Drawing No. 2043 on a Hood Lock Assembly

3412413 is available from:

Cal Corporation  
 305 E. 9 Mile Road  
 Ferndale, Michigan 48220

NOTES:		MATERIAL		DATE	
RELEASED FOR SPECIAL ORDER ONLY		DRAWN		1-3-69	
INFORMATION ON THIS PART AVAILABLE ONLY FROM		J. T. KEEGAN		SCALE	
FLEET ENGINEERING - PRODUCT PLANNING TECHNICAL SERVICES		CHECKED		PART NO.	
1-3-69				3412413	
Gasket - Hood Hold Down Lock		PRODUCT PLANNING TECH. SERVICES		FLEET ENGINEERING	
Face Plate		CHRYSLER CORPORATION		DETROIT, MICHIGAN	

PART NO. 3412414

GROUP RELEASE NO. E-101  
SHEET 28 OF 37

GP. REL.  
REF. NO.

Detail Drawing of 3412414 Hair Pin - Hood Hold Down Lock  
Stud Pin is shown as Item #4 on Cal Corporation's  
Drawing No. 2043 on a Hood Lock Assembly

3412414 is available from:  
Cal Corporation  
305 E. 9 Mile Road  
Ferndale, Michigan 48220

NOTES:

MATERIAL

DATE

1-3-69

SCALE

PRODUCT PLANNING TECH. SERVICES  
FLEET ENGINEERING  
**CHRYSLER CORPORATION**  
DETROIT, MICHIGAN

DRAWN  
J. T. KEEGAN

LET

WAS

CHECKED  
*J. T. Keegan*

PART NO.  
3412414

RELEASED FOR SPECIAL ORDER ONLY 1-3-69  
INFORMATION ON THIS PART AVAILABLE ONLY FROM

Hair Pin - Hood Hold Down Lock  
Stud Pin

PART NO. 3412415

GROUP RELEASE NO. E-101  
SHEET 29 OF 37

GP. REL.  
REF. NO.

Detail Drawing of 3412415 is available at Chrysler Corporation Product Planning Fleet Engineering Office. Copies of Drawing may be obtained by contacting J. F. Keegan - phone: 87-5717.

NOTES:	MATERIAL	DATE
	PRODUCT PLANNING TECH. SERVICES FLEET ENGINEERING CHRYSLER CORPORATION DETROIT, MICHIGAN	1-4-69
RELEASED FOR SPECIAL ORDER ONLY	DRAWN	SCALE
1-4-69	J. F. KEEGAN	
INFORMATION ON THIS PART AVAILABLE ONLY FROM FLEET ENGINEERING - PRODUCT PLANNING TECHNICAL SERVICES	CHECKED	PART NO.
	<i>JFK</i>	3412415
	Bracket - Hood Retaining	

PART NO. 3412424

GROUP RELEASE NO. E-101  
SHEET 30 OF 37

GP. REL.  
REF. NO.

Make per Chrysler Corporation Styling Office Drwg. # D-39593

REF: See Styling Office Drwg. # R-39597 furnished to

Mr. C. A. Garbacz, of Lynch Rd. Assy. Plant,

Prod. Engineering, for locating Decals on Hood

Air Scoop.

WM Model

3412423 - Left Not Symm. Opposite

NOTES:

MATERIAL

DRAWN

J. T. KEEGAN

CHECKED



PRODUCT PLANNING TECH. SERVICES  
FLEET ENGINEERING

**CHRYSLER CORPORATION**  
DETROIT, MICHIGAN

DATE  
1-13-69

SCALE

RELEASED FOR SPECIAL ORDER ONLY 1-13-69

INFORMATION ON THIS PART AVAILABLE ONLY FROM

Decal - 1 Six Pack 1 Hood Air

Scoop Rt.

PART NO.

3412424



PART NO.

3412427

SHEET 31

OF 37

GP. REL.  
REF. NO.

Make per Chrysler Corporation Styling Office Drawing # 0-39418.

REF: See Styling Office Drawing # D-39503

Furnished to Mr. C. A. Garbacz, of Lynch Road Assy.

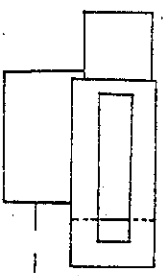
Plant, Prod. Engineering, for locating Decals on Hood

Air Scoop.

RM Model

NOTES:								
	LET							
	WAS							
RELEASED FOR SPECIAL ORDER ONLY		1-16-69						
INFORMATION ON THIS PART AVAILABLE ONLY FROM				FLEET ENGINEERING - PRODUCT PLANNING TECHNICAL SERVICES				
		MATERIAL						
		DRAWN	J. J. KEEGAN					
		CHECKED	<i>[Signature]</i>					
		PRODUCT PLANNING TECH. SERVICES FLEET ENGINEERING		CHRYSLER CORPORATION DETROIT, MICHIGAN		DATE 1-16-69		
		Decal - 1440 - 6 BBL1 Hood Air Scoop		SCALE		PART NO. 3412427		

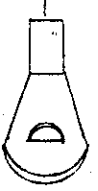
2822460 Term.  
2822340 Ins.



Wire 16 Ga. Dk. Blue M.S. 3450

28

2587158 Term.  
2197706 Ins.



Solder M.S. 2389 P.S. 406  
Wire Fabrication per. P.S. 1745

NOTES:

LET	WAS		

DRAWN  
*H. R. Hunt*  
H. R. HUNT

CHECKED  
*J. R. R*

PRODUCT PLANNING TECH. SERVICES  
FLEET ENGINEERING

**CHRYSLER CORPORATION**  
DETROIT, MICHIGAN

DATE  
2-3-69

WIRE ASSY. - Ballast Resistor  
to Ign. Coil.

PART NO. 3412458

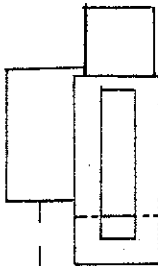
RELEASED FOR SPECIAL ORDER ONLY 2-3-69  
INFORMATION ON THIS PART AVAILABLE ONLY FROM

PART NO. 3412459

GROUP RELEASE NO. E-101  
SHEET 33 OF 37

GP. REL.  
REF. NO.

2822460 Term.  
2822340 Ins.



Wire 18 Ga. Black Hypalon M.S. 3877

55

2096466 Term.  
2097173 Ins.



Wire Fabrication per P.S. 1745

NOTES:

RELEASED FOR SPECIAL ORDER ONLY	2-3-69	LET	WAS
INFORMATION ON THIS PART AVAILABLE ONLY FROM			

MATERIAL

DRAWN *P. Hunt*  
H. R. HUNT

CHECKED

*DR*

PRODUCT PLANNING TECH. SERVICES  
FLEET ENGINEERING

**CHRYSLER CORPORATION**  
DETROIT, MICHIGAN

Wire Assy. - Carb. Shut Off  
Soleroid

DATE

2-3-69

SCALE

PART NO.

3412459



**CHRYSLER CORPORATION**

**PRODUCT PLANNING  
TECHNICAL SERVICES  
FLEET ENGINEERING**

Release of a special 440 Engine with aluminum intake manifold and three-two barrel carburetors. Also fiberglass hood with air scoop.

DESCRIPTION & RE KS

GROUP RELEASE

E-101

SHEET 3 OF 3

INQUIRY:

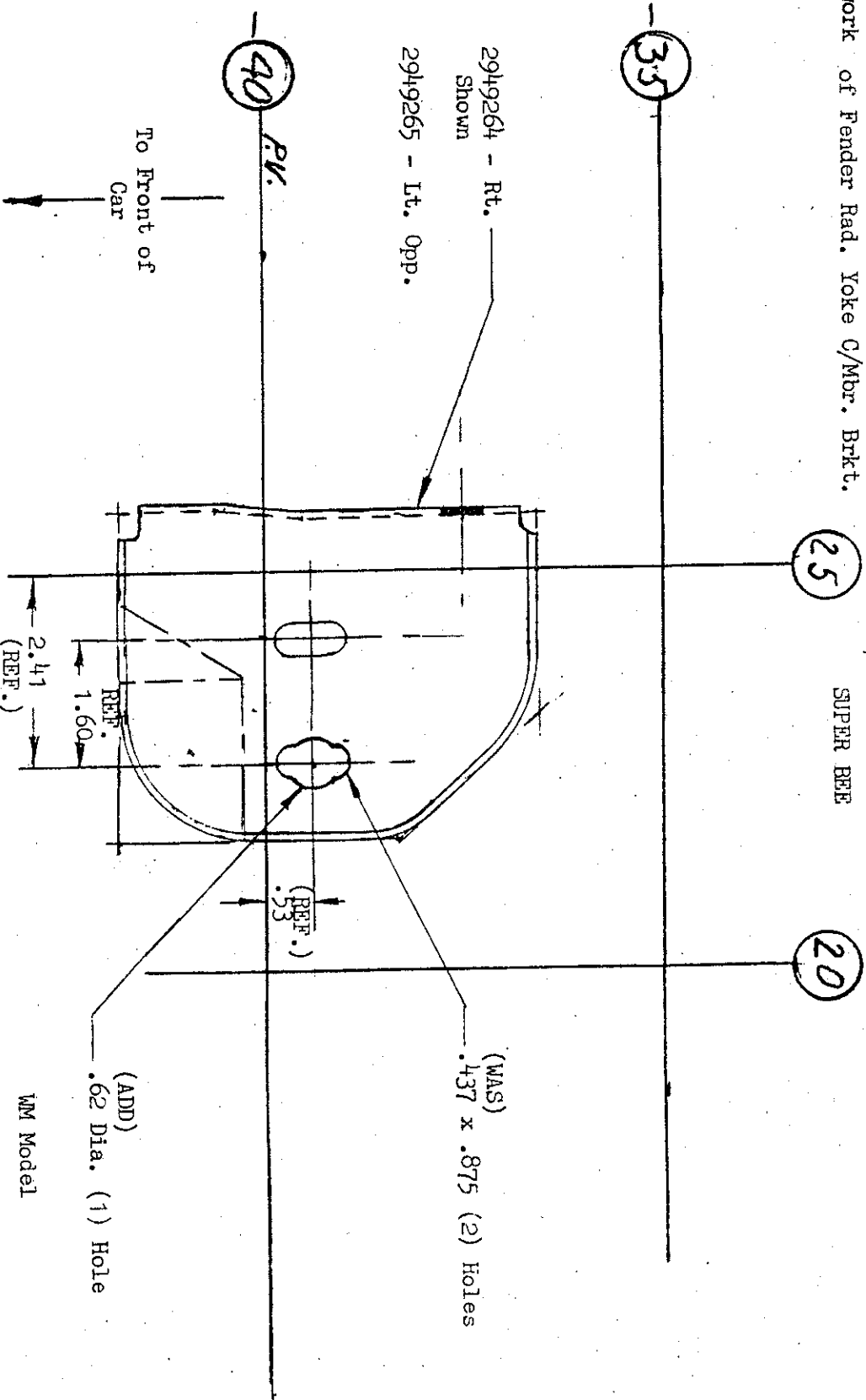
ERAY 4257, EMAY 4258  
ERAY 4255, EMAY 4256

MODELS:

R63 M21, 23; W63 M21, 23

P.F. FED.  
OR SAFETY

Rework of Fender Rad. Yoke C/MBR. Brkt.



RELEASED: 1-15-69

NOTES: Open up inboard slot on both fender rad. yoke C/mbr. brkts. as shown.

CHANGES:

*J. P. KERRIGAN*  
Original  
J. P. KERRIGAN - rmz



**CHRYSLER CORPORATION**

**PRODUCT PLANNING  
TECHNICAL SERVICES  
FLEET ENGINEERING**

DESCRIPTION & RKS

Release of a special 440 Engine with aluminum intake manifold and three-two bbl. carburetors. Also fiberglass hood with air scoop.

GROUP RELEASE

E-101

SHEET 32 OF 37

INQUIRY:

ERAY 4257, EMAY 4258  
ERAY 4255, EMAY 4256

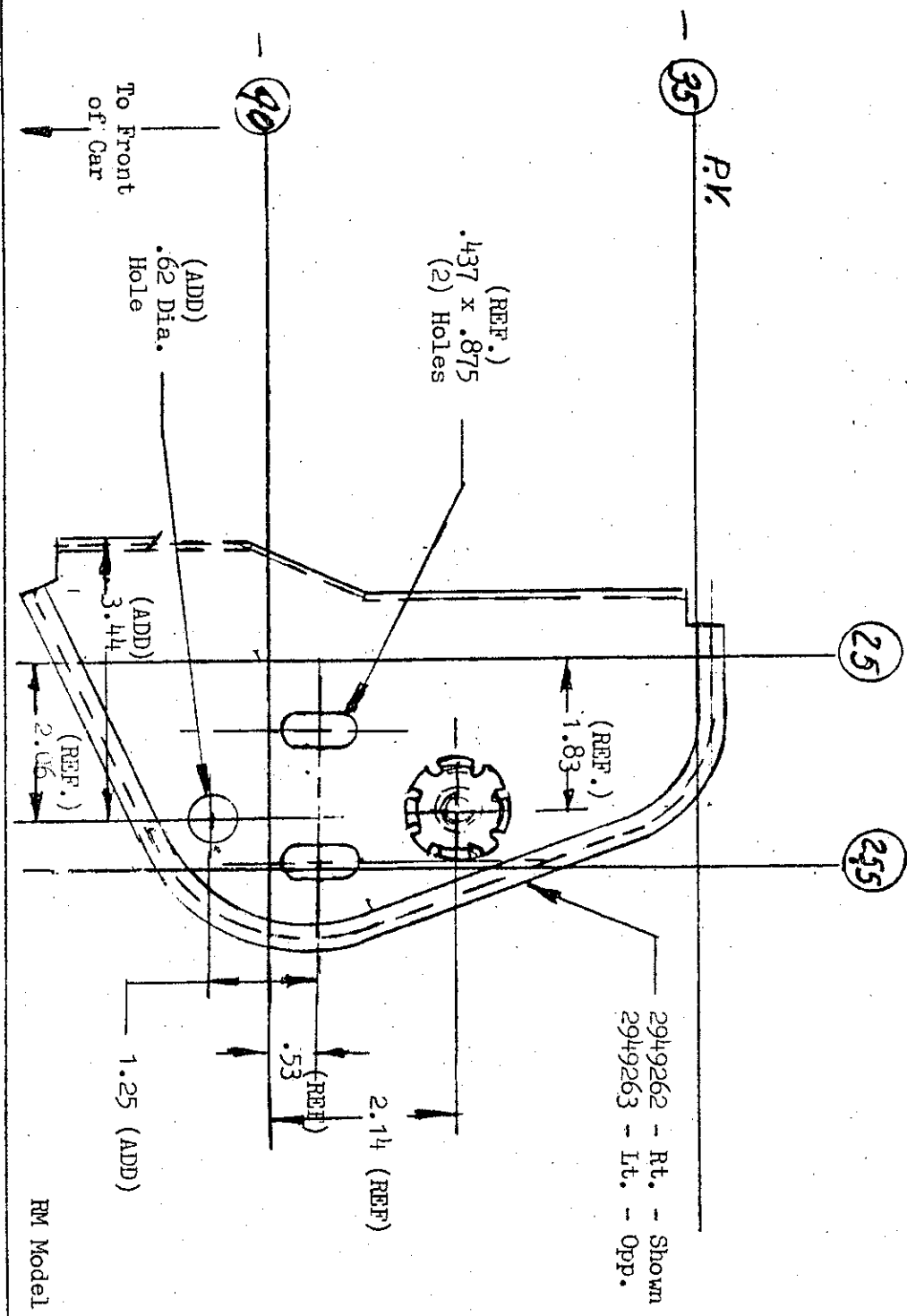
MODELS:

R63 M21, 23; W63 M21, 23

P.F. FED.  
OR SAFETY

Network of Fender Rad. Yoke C/Mbr. Brkt.

ROAD RUNNER



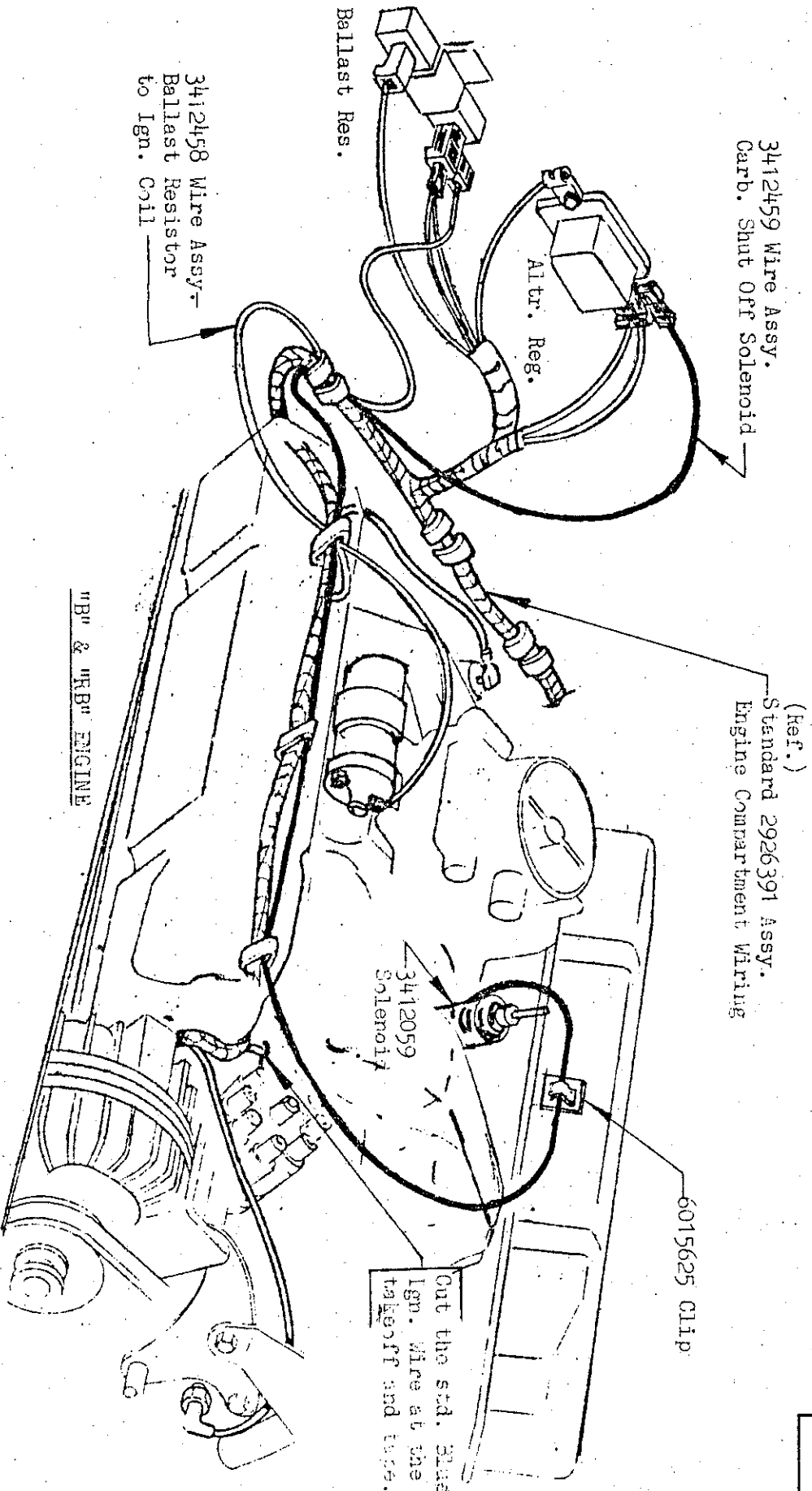
RELEASED:

1-15-69

NOTES  
Add .62 Dia. Hole in each Fender Rad. Yoke C/Mbr. Brkt.

CHANGES:

*J. T. Keregan*  
Original  
J. T. KEREKAN - Mfg.



Same as 2654406 Manual Sect. B Page 4, Except as shown

NOTES:

MATERIAL		DATE	
LET	WAS	2-14-69	
DRAWN		SCALE	
M. SHOSH		DO NOT SCALE	
CHECKED		PART NO.	
11/11		3412460	
PRODUCT PLANNING TECH. SERVICES FLEET ENGINEERING <b>CHRYSLER CORPORATION</b> DETROIT, MICHIGAN			
Adapt - Carb. Solenoid & Special Ing. Coil Wiring			
RELEASED FOR SPECIAL ORDER ONLY 2-14-69 INFORMATION ON THIS PART AVAILABLE ONLY FROM			

**HIGH SIGNIFICANCE CHARACTERISTICS - SAFETY ITEM**

PART NAME: Throttle Linkage Adjustment

PREPARED BY: [ ] PLANTS) ENGINEERING ILLUST NO. [ ] CORP. PROCESSING AND/OR ASSY. [ ] VENDOR PROCESSING [ ] CAR [ ] ORIGINAL ISSUE DATE [ ] INIT. CHGE [ ] LETTER [ ] PART NO. [ ]  
 FINAL SHIPPING DESTINATION (IF OTHER THAN CAG, TRUCK OR CANADIAN ASSY. PLANTS ) [ ] CAG GROUP/ DIVISION INVOLVED ORIGINAL RELEASE DATE [ ] TRUCK [ ] RELEASE NO. [ ] DWG. NO. [ ]  
 GROUP/ DIVISION (INVOLVED) SHIPPING DIRECT TO CAG, TRUCK OR CANADIAN ASSY. PLANTS [ ]

1. NON CAG, TRUCK OR CANADIAN ASSY. PLANTS (OUTSIDE SOURCES) IF OTHER THAN RAW

2. INTRA-GROUP PLANT 1 PLANT 2 PLANT 3

PROCESSING OR COMPONENT ASSEMBLY OPERATIONS	RESIDENT ENGR.	DATE	RESIDENT ENGR.	DATE	RESIDENT ENGR.	DATE	RESIDENT ENGR.	DATE	SAFETY & QUALITY COMM. (WHEN APPLICABLE)	DATE	CANCELLATION DATE AND DOCUMENT REFERENCE (IF APPLICABLE)
INITIAL APPROVALS	GROUP CHIEF ENGR.	DATE	GROUP CHIEF ENGR.	DATE	GROUP CHIEF ENGR.	DATE	GROUP CHIEF ENGR.	DATE			RELATED INITIAL INSPECTION INSTRUCTIONS TO BE PREPARED BY: [ ] PLANTS) [ ] GROUP
	<i>MPH</i>	1-30-69	<i>MPH</i>	1-30-69	<i>MPH</i>	1-30-69	<i>MPH</i>	1-30-69			

PLT. TESTS NO. MOD. NO. DESCRIPTION OF CHARACTERISTICS MATERIAL OR PROCESSING REQUIREMENTS ASSOCIATED DIMENSIONAL, MATERIAL OR PROCESSING REQUIREMENTS COMPONENT ASSEMBLY OR VEHICLE INSTALLATION CHECKS

Installation of P/N 6025005  
 Nut & Wa.  
 Lubrication of Throttle Control Linkage  
 Adjustment of Throttle Linkage

P.S. 1082 Ref. HSC P/N 2925900  
 Shl. P.S. 1082  
 P.S. 5114

Min. - 30 in. - 1 ft.  
 Max. - 60 in. - 1 ft.

NOTE: This throttle adjustment is required by Fleet Engineering Special Order Group Release E-101 for F/RW63-M21, 23 models with 440 - 6V Engine (three 2V carburetors)